



Use & Care

G U I D E

Electric and Gas Timed Dryers

A Note to You	2
Dryer Safety	3
Parts and Features.....	5
Checking Your Vent	6
Using Your Dryer	8
Starting your dryer.....	8
Selecting the right cycle and temperature setting	9
Cycle descriptions.....	10
Fluff Air Cycle	11
Caring for Your Dryer	12
Troubleshooting.....	14
Assistance or Service	16



A NOTE TO YOU

Thank you for buying a WHIRLPOOL® appliance.

The Whirlpool Brand is committed to designing quality products that consistently perform for you to make your life easier. To ensure that you enjoy years of trouble-free operation, we developed this Use and Care Guide. It is full of valuable information about how to operate and maintain your appliance properly and safely. Please read it carefully.

Please record your model's information.

Whenever you call to request service for your appliance, you need to know your complete model number and serial number. You can find this information on the model and serial number label (see the diagram in the "Parts and Features" section).

Please also record the purchase date of your appliance and your dealer's name, address, and telephone number.

Model Number _____

Serial Number _____

Purchase Date _____

Dealer Name _____

Dealer Address _____

Dealer Phone _____

Keep this book and the sales slip together in a safe place for future reference.

For warranty information, contact the dealer from whom you purchased your dryer.

DRYER SAFETY

Your safety and the safety of others is very important.

We have provided many important safety messages in this manual and on your appliance. Always read and obey all safety messages.



This is the safety alert symbol.

This symbol alerts you to hazards that can kill or hurt you and others.

All safety messages will be preceded by the safety alert symbol and the word "DANGER" or "WARNING". These words mean:

⚠ DANGER

You will be killed or seriously injured if you don't follow instructions.

⚠ WARNING

You can be killed or seriously injured if you don't follow instructions.

All safety messages will identify the hazard, tell you how to reduce the chance of injury, and tell you what can happen if the instructions are not followed.

WARNING: For your safety the information in this manual must be followed to minimize the risk of fire or explosion or to prevent property damage, personal injury or death.

- Do not store or use gasoline or other flammable vapors and liquids in the vicinity of this or any other appliance.
- **WHAT TO DO IF YOU SMELL GAS**
 - Do not try to light any appliance.
 - Do not touch any electrical switch; do not use any phone in your building.
 - Clear the room, building or area of all occupants.
 - Immediately call your gas supplier from a neighbor's phone.
Follow the gas supplier's instructions.
 - If you cannot reach your gas supplier, call the fire department.
- Installation and service must be performed by a qualified installer, service agency or the gas supplier.

continued on next page

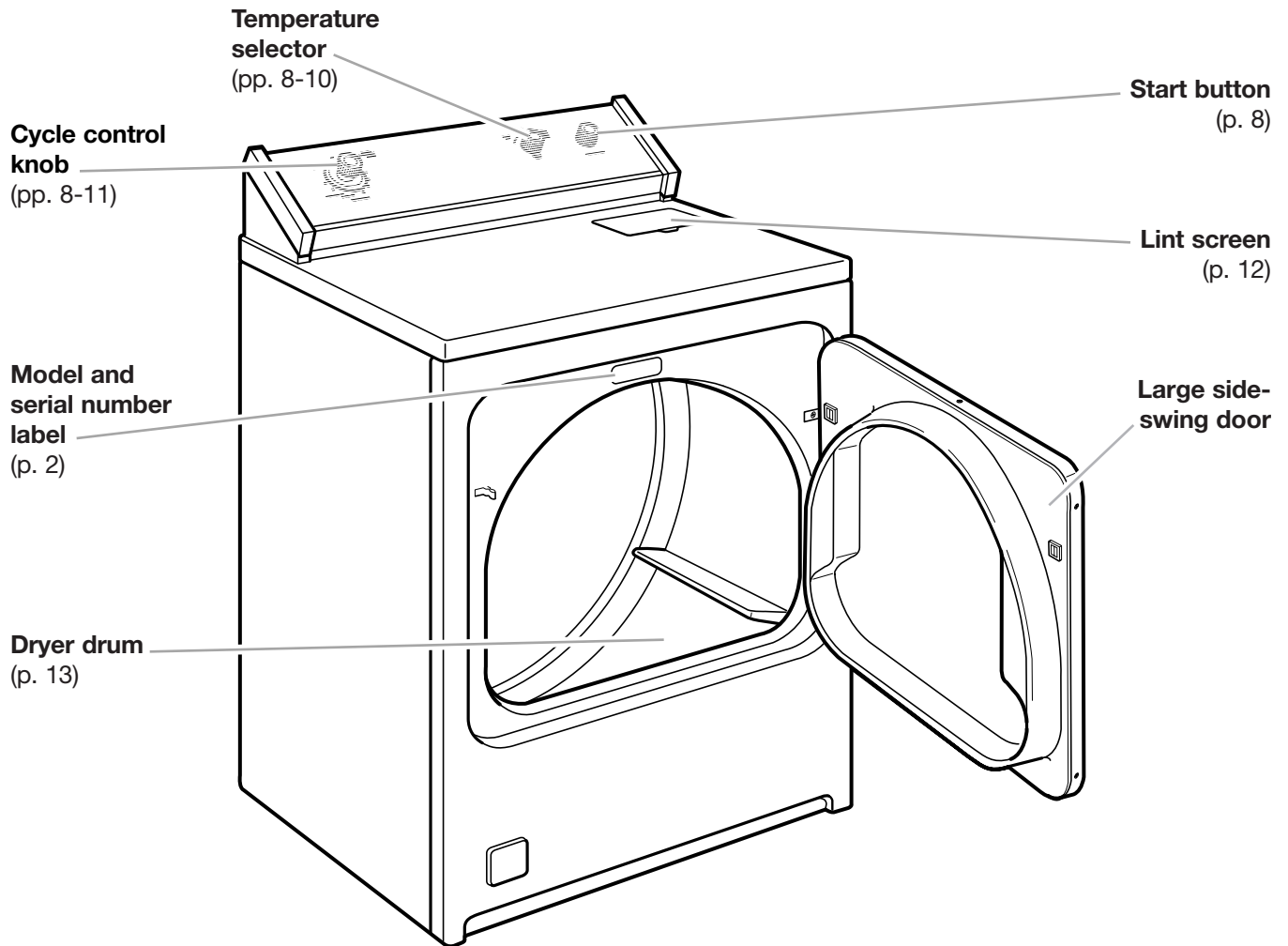
IMPORTANT SAFETY INSTRUCTIONS

WARNING: To reduce the risk of fire, electric shock, or injury to persons when using the dryer, follow basic precautions, including the following:

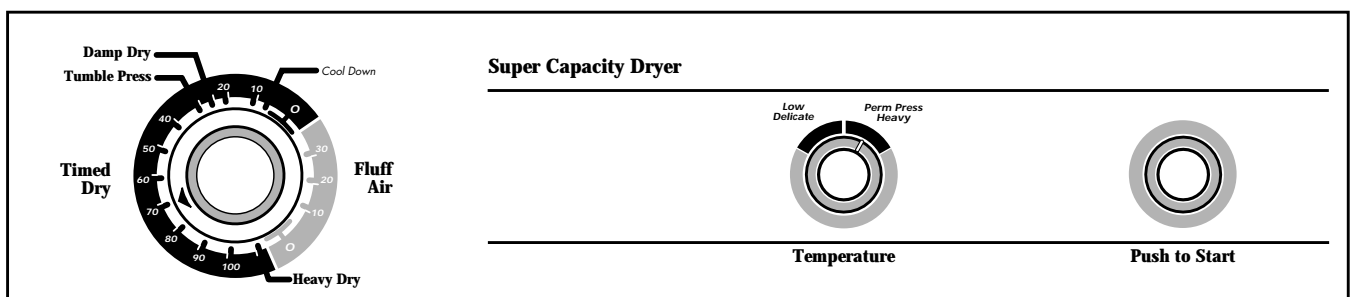
- Read all instructions before using the dryer.
- Do not place items exposed to cooking oils in your dryer. Items contaminated with cooking oils may contribute to a chemical reaction that could cause a load to catch fire.
- Do not dry articles that have been previously cleaned in, washed in, soaked in, or spotted with gasoline, dry-cleaning solvents, other flammable, or explosive substances as they give off vapors that could ignite or explode.
- Do not allow children to play on or in the dryer. Close supervision of children is necessary when the dryer is used near children.
- Before the dryer is removed from service or discarded, remove the door to the drying compartment.
- Do not reach into the dryer if the drum is moving.
- Do not install or store the dryer where it will be exposed to the weather.
- Do not tamper with controls.
- Do not repair or replace any part of the dryer or attempt any servicing unless specifically recommended in this Use and Care Guide or in published user-repair instructions that you understand and have the skills to carry out.
- Do not use fabric softeners or products to eliminate static unless recommended by the manufacturer of the fabric softener or product.
- Do not use heat to dry articles containing foam rubber or similarly textured rubber-like materials.
- Clean lint screen before or after each load.
- Keep area around the exhaust opening and adjacent surrounding areas free from the accumulation of lint, dust, and dirt.
- The interior of the dryer and exhaust vent should be cleaned periodically by qualified service personnel.
- See Installation Instructions for grounding requirements.

SAVE THESE INSTRUCTIONS

PARTS AND FEATURES



CONTROL PANEL



CHECKING YOUR VENT

Your dryer must be properly installed and vented to achieve maximum drying efficiency and shorten drying times. Use the minimum recommended installation clearances (found in your Installation Instructions) to avoid blocking the flow of combustion and ventilation air. Install your dryer in a well-ventilated room where the temperature is always above 45°F (7°C). Also make sure that your dryer is leveled. Refer to your installation Instructions for more information.

⚠ WARNING



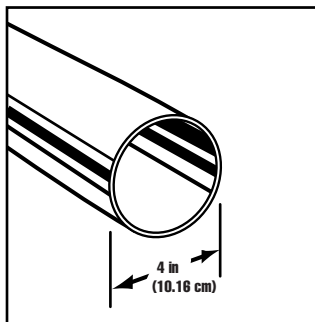
Fire Hazard

- Use a heavy metal vent.
- Do not use a plastic vent.
- Do not use a metal foil vent.
- Failure to follow these instructions can result in death or fire.

If the dryer is not properly installed and vented, it will not be covered under the warranty.

NOTE: Service calls caused by improper venting will be paid for by the customer, whether it was a paid installation or self-installed. For paid installation, call the company that installed the vent for adjustment.

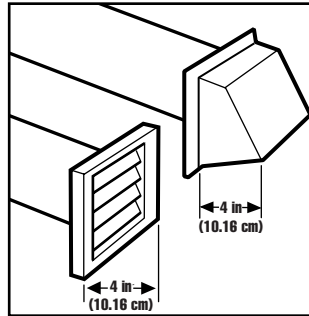
1. Do not use plastic vent or flexible metal foil vent.



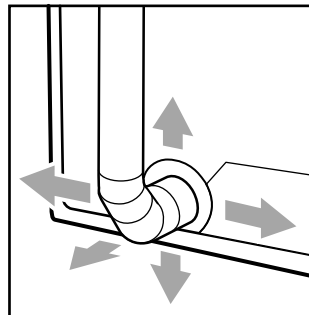
length requirements of vent.

Use 4 in (10.16 cm) heavy metal or flexible metal vent. Do not kink or crush flexible metal vent. It must be completely extended to allow adequate exhaust air to flow. Check vent after installation. Refer to your Installation Instructions for proper

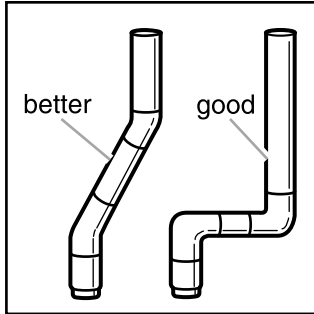
2. Use a 4 in (10.16 cm) exhaust hood. Smaller hoods increase drying times.



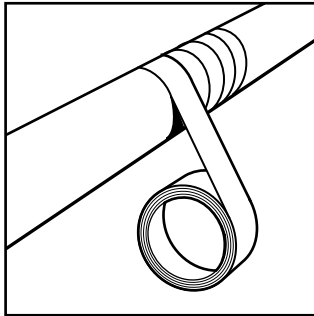
3. The exhaust vent can be routed up, down, left, right, or straight out the back of the dryer. Space requirements are listed in your Installation Instructions.



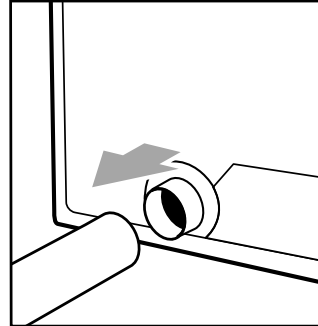
- 4.** Use the straightest path possible when routing the exhaust vent. Use the fewest number of elbows and turns. Allow room when using elbows or making turns. Bend vent gradually to avoid kinking.



- 5.** Use duct tape to seal all joints. **Do not** use screws to secure vent. Lint may catch on screws.



- 6.** Clean exhaust vent periodically, depending on use, but at least every 2 years, or when installing your dryer in a new location.



- Disconnect vent from the dryer and clean one section at a time until you reach the exhaust hood.

- Use the hose attachment on your vacuum,

or a pole or wire with a feather duster or rag attached, to clean out lint.

- Be sure the flapper on the outside end of vent moves freely.
- When cleaning is complete, be sure to follow the Installation Instructions supplied with your dryer for final product check.

USING YOUR DRYER

STARTING YOUR DRYER

⚠️ WARNING



Explosion Hazard

Keep flammable materials and vapors, such as gasoline, away from dryer.

Do not dry anything that has ever had anything flammable on it (even after washing).

Failure to follow these instructions can result in death, explosion, or fire.

⚠️ WARNING



Fire Hazard

No washer can completely remove oil.

Do not dry anything that has ever had any type of oil on it (including cooking oils).

Items containing foam, rubber, or plastic must be dried on a clothesline or by using an Air Cycle.

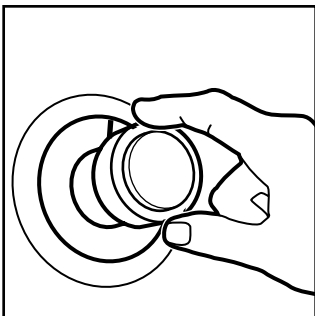
Failure to follow these instructions can result in death or fire.

Before using your dryer, wipe the dryer drum with a damp cloth to remove dust from storing and shipping.

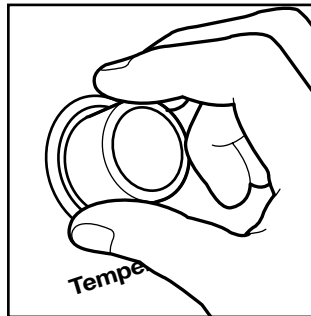
1. Load clothes loosely into the dryer and close the door. Do not pack the dryer; allow space for clothes to tumble freely.



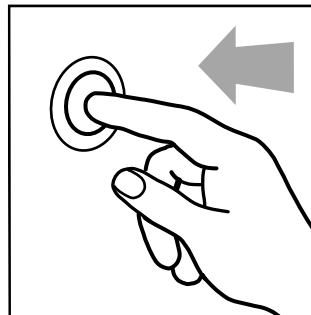
2. Turn the Cycle Control knob to the recommended cycle for the type of load being dried, as described in the "Cycle Descriptions" section.



3. Set the Temperature selector to the recommended setting for the type of fabric being dried. The cycle descriptions on the following pages include temperature setting suggestions.



4. Push the Start button.



NOTE: Your dryer stops automatically when a cycle ends.

STARTING YOUR DRYER (CONT.)

Stopping and restarting your dryer

You can stop your dryer anytime during a cycle.

To stop your dryer:

Open the dryer door or turn the Cycle Control knob to Off.

NOTE: The Cycle Control knob should point to an Off area when the dryer is not in use.

To restart your dryer:

Close the door, select a new cycle and temperature (if desired), and push the Start button.

SELECTING THE RIGHT CYCLE AND TEMPERATURE SETTING

The following pages describe the drying cycles on your dryer. The descriptions include suggested temperature settings and drying times for various loads.

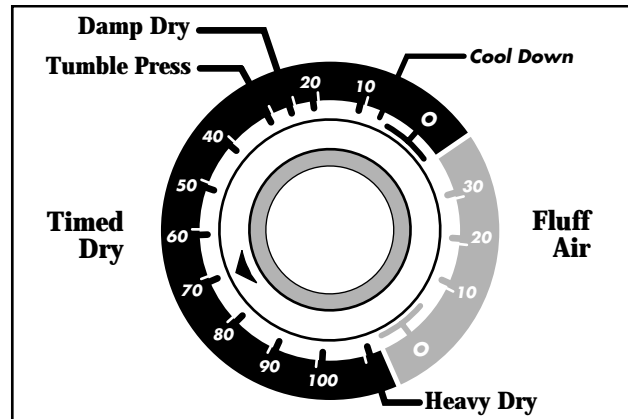
Cycle and temperature tips

- Make sure you have selected the correct cycle and temperature for your load.
- Use the Fluff Air cycle, or line dry rubber, plastic, delicate, and heat-sensitive fabrics.
- The last few minutes of all cycles are without heat to make the load cooler to handle.

Drying tips

- Always follow care label directions when they are available.
- Always use fabric softener sheets labeled as dryer safe and follow package instructions carefully.
- Remove the load from the dryer as soon as tumbling stops to reduce wrinkling. This is especially important for permanent press, knits, and synthetic fabrics.

CYCLE DESCRIPTIONS



Timed Dry cycle

The Timed Dry cycle is a heated cycle. Use the Timed Dry cycle for:

- Heavyweight and bulky items, such as bedspreads and work clothes, and large loads that require a long drying time. Set the Temperature selector to Heavy and the Cycle Control knob for 50-70 minutes.
- Lightweight items, such as lingerie, blouses, and knits that require a short drying time. Set the Temperature selector to Low, and the Cycle Control knob for 20-30 minutes.
- The Timed Dry cycle also includes a Damp Dry feature to dry items to a damp level or to dry items that do not require an entire drying cycle. Examples are heavy cottons, such as jeans, which you do not want to become stiff, or cotton clothes that are easier to press when damp. Set the Temperature selector to Heavy and the Cycle Control knob to Damp Dry.

- The Timed Dry cycle also includes the TUMBLE PRESS feature, that removes wrinkles from clothes that have been packed in a suitcase or closet, or from items not removed from the dryer at the end of a cycle. As soon as the dryer stops, fold or put the items on hangers. Set the Temperature selector to Heavy, and the Cycle Control knob to TUMBLE PRESS.

Fluff Air cycle

Use the unheated Fluff Air cycle for items that require drying without heat, as described on the next page.

FLUFF AIR CYCLE

The chart below includes examples of items that require drying without heat. Use the Fluff Air cycle, or place the items on a line or rack to air dry.

- Line dry bonded or laminated fabrics.
- Always follow care label directions when they are available.

TYPE OF LOAD	FLUFF AIR CYCLE* (minutes)
<p>RUBBER, PLASTIC, HEAT-SENSITIVE FABRICS</p> <p>Foam Rubber – Pillows, padded bras, stuffed toys</p> <ul style="list-style-type: none"> ● Make sure coverings are securely stitched. ● Shake and fluff pillows by hand several times during the Fluff Air cycle. ● Make sure pillows are completely dry. Foam rubber pillows take a long time to dry. <p>Plastic – Shower curtains, tablecloths</p> <p>Rubber-backed rugs</p> <p>Olefin, Polypropylene, Sheer nylon</p>	<p>20-30</p> <p>20-30</p> <p>40-50</p> <p>10-20</p>

* Reset cycle as needed to complete drying.

CARING FOR YOUR DRYER

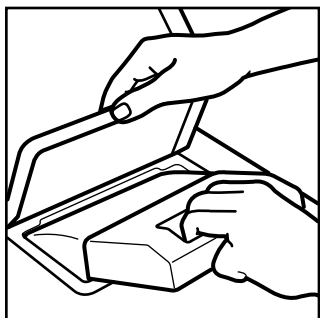
CLEANING THE LINT SCREEN

Every load cleaning

The lint screen is located under a lid on top of the dryer. **Clean it before starting each load.** A screen blocked by lint can increase drying time.

To clean:

1. Open the lid and pull the lint screen towards you.



2. Roll lint off the screen with your fingers. Do not rinse or wash screen to remove lint. Wet lint is hard to remove.



3. Push the lint screen firmly back into place and close the lid.

IMPORTANT:

- Do not run the dryer with the lint screen loose, damaged, blocked, or missing. Doing so can cause overheating and damage to both the dryer and fabrics.
- Some towels made of synthetic fibers and natural fibers (polyester and cotton blends) may shed more lint than other towels, causing your dryer's lint screen to fill up faster. Be sure to remove lint from the lint screen before and after drying new towels.
- If lint falls off the screen during removal and into the dryer, periodically check the exhaust hood and remove the lint (see "Checking Your Vent").

As needed cleaning

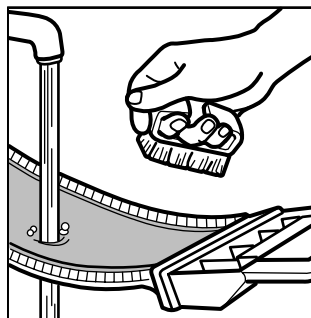
Laundry detergents and fabric softeners can cause a residue buildup on the lint screen. This buildup can cause longer drying times for your clothes, or cause the dryer to stop before your load is completely dry. You may be able to see this buildup, or the lint may be falling off the screen because it is clogged.

Clean the lint screen with a nylon brush every six months or more frequently if it becomes clogged due to a residue buildup.

Use the following method:

1. Wet both sides of lint screen with hot water.

2. Wet a nylon brush with hot water and liquid detergent; scrub lint screen with the brush to remove residue buildup.



3. Rinse screen with hot water.
4. Thoroughly dry lint screen with a clean towel; replace in dryer.

CLEANING THE DRYER INTERIOR

Garments which contain unstable dyes, such as denim blue jeans or brightly colored cotton items, may discolor the dryer interior. These stains are not harmful to your dryer and will not stain future loads of clothes. It is helpful to dry unstable dye items inside out to prevent dye transfer.

To clean dryer drum:

1. Make a paste with powdered laundry detergent and very warm water.
2. Apply paste to a soft cloth.

OR

Apply a liquid, non-flammable household cleaner to the stained area and rub with a soft cloth until all excess dye is removed.



3. Wipe drum thoroughly with a damp cloth.
4. Tumble a load of clean cloths or towels to dry drum.

! WARNING



Explosion Hazard

Use nonflammable cleaner.

Failure to do so can result in death, explosion, or fire.

REMOVING ACCUMULATED LINT FROM INSIDE THE DRYER CABINET

Lint should be removed every 2 years, or more often, depending on dryer usage. Cleaning should be done by a qualified person.

TROUBLESHOOTING

COMMON DRYING PROBLEMS

PROBLEM	CAUSE	SOLUTION
Not drying satisfactorily	<ul style="list-style-type: none"> • Lint screen is clogged with lint. • Restricted air movement. Exhaust vent or outside exhaust hood is clogged with lint. • Exhaust vent is crushed or kinked. • On gas dryers, valve to supply line is closed. • One fuse is blown or circuit breaker is tripped. The dryer will appear to operate, but you will not get any heat. • Cycle Control knob or temperature selector is set on air dry. • Fabric softener sheets blocking exhaust grill. • Dryer located in room with temperature below 45°F (7°C). • Large amount of moisture in the load. • Cold rinse water used. • Load too large and bulky to dry quickly. 	<ul style="list-style-type: none"> • Clean lint screen. • Run dryer for 5-10 minutes. Hold hand under outside exhaust hood to check air movement. If you do not feel air moving, clean exhaust system of lint or replace exhaust vent with heavy metal or flexible metal vent (see your Installation Instructions). • Replace with heavy metal or flexible metal vent (see your Installation Instructions). • Check valve to gas supply line (see your Installation Instructions). • Replace fuse or reset breaker. • Select the right cycle and temperature for the types of garments being dried (see “Using Your Dryer”). • Use only one softener sheet per load and only use it once. • Move dryer to a location with temperatures above 45°F (7°C). • Expect longer dry times with items that hold more moisture (cottons). • Expect longer dry times. • Separate load to tumble freely.
Dryer will not run	<ul style="list-style-type: none"> • Power cord not firmly plugged into a live circuit with proper voltage. • Fuse(s) blown or circuit breaker(s) tripped. • Using a regular fuse. • Dryer door not firmly closed. • Start button not firmly pressed. • Cycle Control knob set to Off. 	<ul style="list-style-type: none"> • Plug power cord into a live circuit. • Replace fuse(s) or reset breaker(s). • Replace with a time-delay fuse. • Close dryer door tightly. • Press Start button again. • Set knob to a cycle or time.

COMMON DRYING PROBLEMS (CONT.)

PROBLEM	CAUSE	SOLUTION
Lint in load	<ul style="list-style-type: none"> • Lint screen is clogged. • Improper sorting. • Load is too big or heavy. • Load is overdried. • Paper or tissue in pockets. • Pilling being mistaken for lint. 	<ul style="list-style-type: none"> • Clean lint screen. Check for air movement. • Sort lint givers from lint takers and sort by color. • Dry smaller loads so lint can be carried to the lint screen. • Use correct dryer settings for fabric. Overdrying can cause lint-attracting static (see “Using Your Dryer”). • Clean out pockets before drying. • Pilling (surface fuzz) is caused by normal wear and laundering.
Stains on load	<ul style="list-style-type: none"> • Improper use of fabric softener in washer. • Drying soiled items. 	<ul style="list-style-type: none"> • Use fabric softener sheets in dryer. Add at beginning of cycle when load is cold. • Items need to be clean before being dried.
Items shrinking	<ul style="list-style-type: none"> • Overdrying. • Poor garment quality. • Manufacturer’s care label instructions not followed. 	<ul style="list-style-type: none"> • Match dryer settings to fabric type (see “Using Your Dryer”). • Check quality of garment before purchasing. • Follow fabric care label instructions carefully.
Loads are wrinkled	<ul style="list-style-type: none"> • Overloading. • Overdrying. • Load left in dryer at the end of cycle. 	<ul style="list-style-type: none"> • Dry smaller loads that can tumble freely. • Match dryer settings to fabric type (see “Using Your Dryer”). • Remove load as soon as tumbling stops.
Odors	<ul style="list-style-type: none"> • Household chemicals, paint, or varnish being drawn into dryer. • First use of dryer element (electric only). • Gas leak (gas only). 	<ul style="list-style-type: none"> • Do not use dryer while these chemical fumes are in the air. • Odor will be gone after the first cycle. • Turn off gas supply line. Leave your home and call your local gas company.
Unusual sounds	<ul style="list-style-type: none"> • Thumping of rollers when dryer has not been used for a while. 	<ul style="list-style-type: none"> • Thump will go away after 5 minutes of drying.

ASSISTANCE OR SERVICE

Before calling for assistance or service, please check the “Troubleshooting” section. It may save you the cost of a service call. If you still need help, follow these instructions.

IF YOU NEED ASSISTANCE OR SERVICE ...

If your problem is not due to any of items listed in the “Troubleshooting” section, contact the dealer from whom you purchased the dryer, or a Whirlpool designated service company.

When calling, please know the purchase date, and the complete model and serial number of your appliance (see the “A Note to You” section). This information will help us better respond to your request.

IF YOU NEED REPLACEMENT PARTS ...

Use Factory Specified Parts whenever you need a replacement part for your WHIRLPOOL® appliance. These parts will fit right and work right, because they are made to the same exacting specifications used to build every new WHIRLPOOL appliance.

To locate Factory Specified Parts in your area, contact the dealer from whom you purchased the dryer, or a Whirlpool designated service company.



Uso y cuidados

G U Í A

Secadoras Automáticas Eléctricas y a Gas de Tiempo Cronometrado

Una Nota para Usted.....	2
Seguridad de la Secadora	3
Piezas y Características	5
Inspeccionando el Conducto de Salida de Aire	6
Cómo Operar la Secadora	8
Puesta en marcha de su secadora.....	8
Seleccionando el ciclo y la temperatura correcta	9
Descripción de los ciclos	10
Ciclo “Fluff Air” (aire sin calor)	11
Cuidado de su Secadora	12
Solucionando Problemas	14
Asistencia o Servicio.....	16

UNA NOTA PARA USTED

Gracias por comprar un electrodoméstico WHIRLPOOL®.

La Marca Whirlpool está dedicada al diseño de productos de calidad que le brindarán a usted un rendimiento constante, simplificando así sus tareas del hogar. Hemos preparado este Manual de Uso y Cuidado para cerciorarnos de que usted pueda disfrutar muchos años de operación sin problemas. Este contiene información valiosa sobre cómo operar y mantener su electrodoméstico debidamente y sin correr riesgos. Por favor léalo con cuidado.

Por favor anote la información del modelo.

Siempre que usted llame para solicitar servicio para su secadora, usted necesitará saber el número completo del modelo y de la serie. Usted encontrará esta información en la placa que contiene el número del modelo y de la serie. Refiérase al diagrama en la sección "Piezas y Características" para localizar esta placa.

Por favor registre la fecha de compra de su electrodoméstico y el nombre, dirección y número de teléfono de su distribuidor.

Número del modelo _____

Número de serie _____

Fecha de Compra _____

Nombre del Distribuidor _____

Dirección del Distribuidor _____

Teléfono del Distribuidor _____

Mantenga este libro y su recibo de compra en un lugar seguro para referencia futura.

Para información sobre la garantía, contacte al distribuidor que le vendió su secadora.

SEGURIDAD DE LA SECADORA

Su seguridad y la seguridad de los demás es muy importante.

Hemos incluido muchos mensajes importantes de seguridad en este manual y en su electrodoméstico. Lea y obedezca siempre todos los mensajes de seguridad.



Este es el símbolo de advertencia de seguridad.

Este símbolo le llama la atención sobre peligros que pueden ocasionar la muerte o una lesión a usted y a los demás.

Todos los mensajes de seguridad irán precedidos por el símbolo de advertencia de seguridad y la palabra "PELIGRO" o "ADVERTENCIA". Estas palabras significan:

! PELIGRO

Si no sigue las instrucciones, usted morirá o sufrirá una lesión grave.

! ADVERTENCIA

Si no sigue las instrucciones, usted puede morir o sufrir una lesión grave.

Todos los mensajes de seguridad identificarán el peligro, le informarán cómo reducir las posibilidades de sufrir una lesión y lo que puede suceder si no siguen las instrucciones.

ADVERTENCIA: Por su propia seguridad, debe seguirse la información que se presenta en este manual, a fin de reducir el riesgo de incendio o explosión y para prevenir daños a la propiedad, daño personal, o la muerte.

- No guarde o use gasolina u otros vapores y líquidos inflamables cerca de éste o cualquier otro aparato electrodoméstico.
- **QUÉ HACER EN CASO DE QUE SIENTA OLOR A GAS**
 - No encienda ningún aparato electrodoméstico a gas.
 - No toque ningún interruptor; no use ningún teléfono en su edificio.
 - Asegúrese que todas las personas salgan del cuarto, edificio o área.
 - Llame a su suministrador de gas inmediatamente, desde el teléfono de un vecino. Siga las instrucciones que le proporcione su suministrador de gas.
 - Si no se puede comunicarse con su suministrador de gas, llame al departamento de bomberos.
- La instalación y servicio se debe llevar a cabo por una persona calificada, agente de servicio o suministrador de gas.

continúa en la próxima página

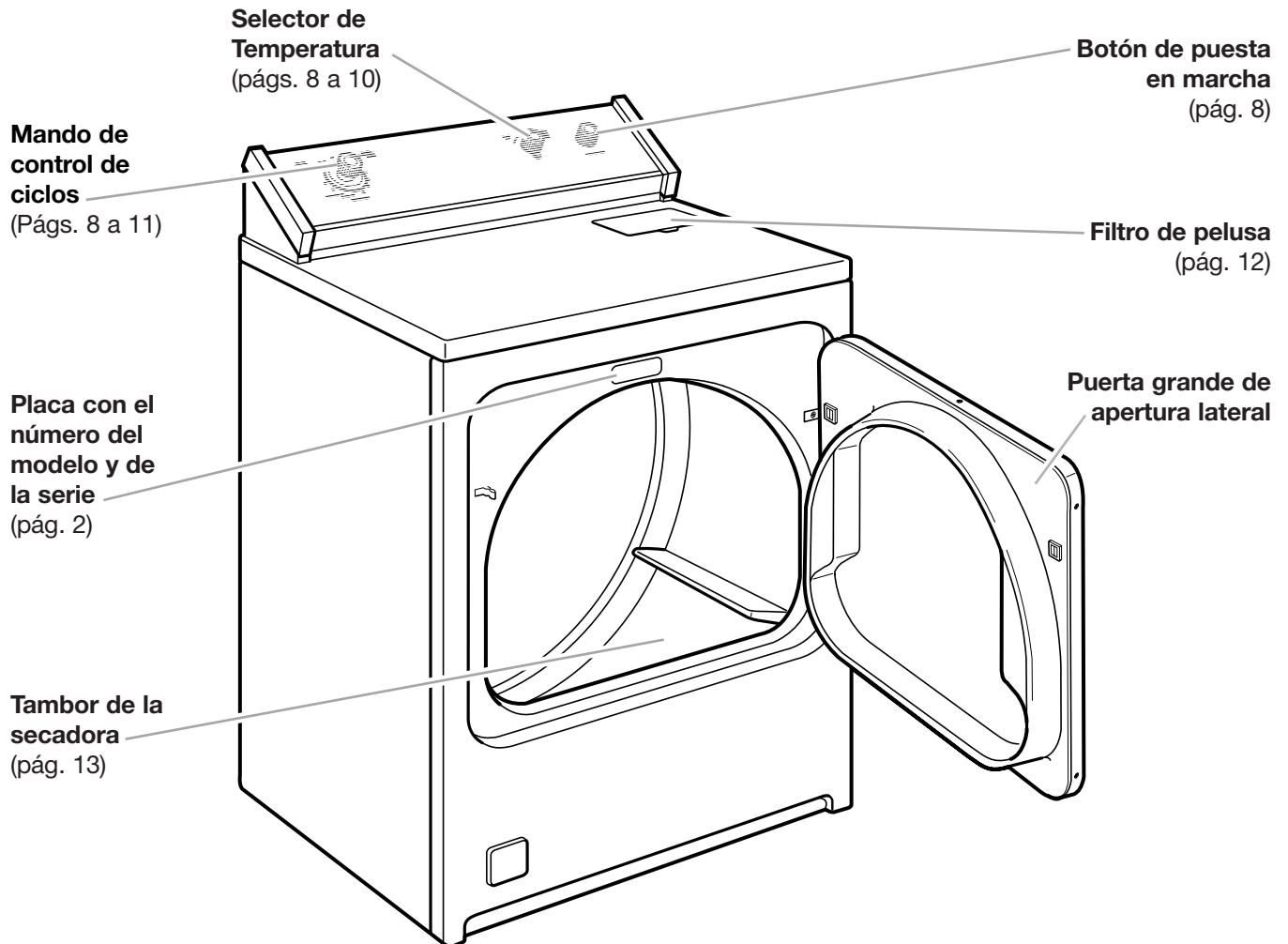
INSTRUCCIONES IMPORTANTES DE SEGURIDAD

ADVERTENCIA : A fin de reducir el riesgo de incendio, descarga eléctrica o de daño a las personas que usen la secadora, deben seguirse las precauciones básicas siguientes:

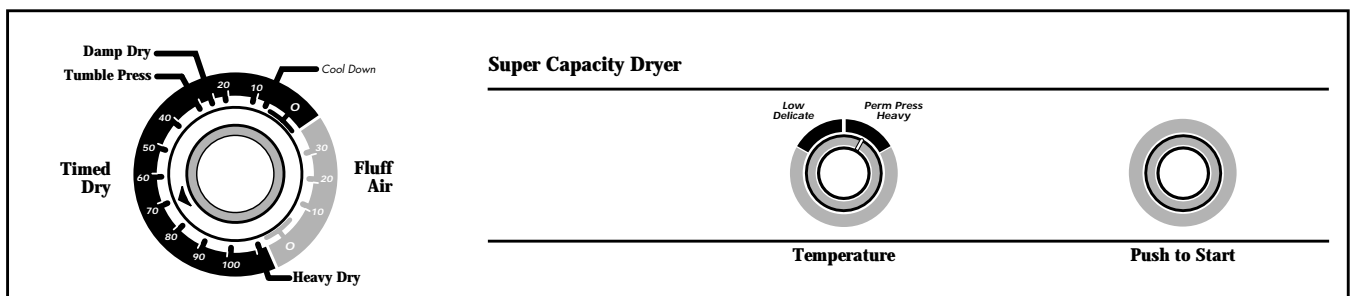
- Lea todas las instrucciones antes de usar la secadora.
- No coloque los objetos expuestos a aceite para cocinar en su secadora. Los objetos expuestos a aceites para cocinar pueden contribuir a una reacción química que podría causar el encendido de una carga.
- No seque artículos que se hayan limpiado, lavado, remojado o manchado con gasolina, disolventes de limpieza en seco, u otras sustancias inflamables o explosivas, ya que despiden vapores que pueden encenderse o causar una explosión.
- No permita que los niños jueguen sobre o dentro de la secadora. La cuidadosa vigilancia de los niños es necesaria cuando se use la secadora cerca de ellos.
- Quite la puerta de la secadora antes de ponerla fuera de funcionamiento o de desecharla.
- No introduzca las manos en la secadora cuando el tambor esté en movimiento.
- No instale o almacene esta secadora donde esté expuesta a agua o a la intemperie.
- No trate de forzar los controles.
- No repare o reemplace ninguna pieza de la secadora ni trate de repararla a menos que esto se recomiende específicamente en el Manual del propietario o en las instrucciones de reparación publicadas para el usuario que usted comprenda y sólo si cuenta con la experiencia necesaria para llevar a cabo dicha reparación.
- No utilice suavizantes de tejidos o productos para eliminar la electricidad estática de prendas a menos que lo recomiende el fabricante del suavizante de tejidos o las instrucciones del producto en uso.
- No utilice calor para secar prendas que contengan espuma de caucho o materiales de caucho con textura similar.
- Limpie el filtro de pelusa antes o después de cada carga de ropa.
- Mantenga el área alrededor de la abertura de ventilación y las áreas adyacentes a esta abertura sin pelusa, polvo o tierra.
- La parte interior de la máquina y el conducto de ventilación se deben limpiar periódicamente. Esta limpieza la debe llevar a cabo un calificado personal de servicio.
- Vea las Instrucciones de Instalación para los requisitos de conexión a tierra.

GUARDE ESTAS INSTRUCCIONES

PIEZAS Y CARACTERÍSTICAS



PANEL DE CONTROLES



INSPECCIONANDO EL CONDUCTO DE SALIDA DE AIRE

Su secadora debe estar debidamente instalada y tener un conducto de salida de aire adecuado para alcanzar una máxima eficiencia y acortar los tiempos de secado. Instale su secadora en un cuarto bien ventilado en donde la temperatura se mantenga por encima de 7°C (45°F). Asegúrese también que su secadora esté nivelada. Consulte las Instrucciones de Instalación para más información.

! ADVERTENCIA



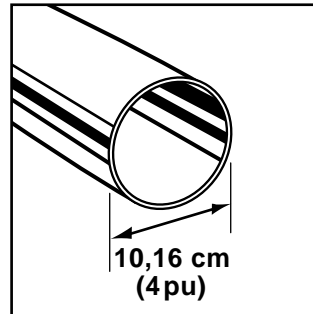
Peligro de Incendio

**Use un conducto de escape de metal pesado.
No use un conducto de escape de plástico.
No use un conducto de escape de aluminio.
No seguir estas instrucciones puede ocasionar la muerte o incendio.**

Si la secadora no está debidamente instalada y no tiene un conducto de salida de aire adecuado, no estará cubierta bajo la garantía.

OBSERVACION: Las llamadas al servicio de reparación causadas por un conducto de salida de aire inadecuado serán cubiertas por el cliente, no importa si el conducto de salida fue instalado por un tercero y se pagó por este servicio o si fue instalado por usted. Si se pagó por la instalación del mismo, llame a la compañía que lo instaló para solicitar que sea ajustado.

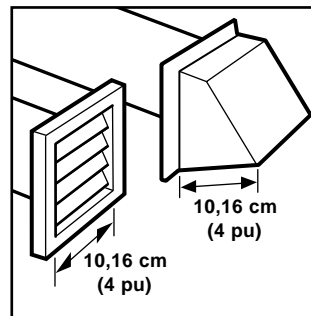
1. Debe utilizarse un conducto de salida de aire de



10,16 cm (4 pulgadas) de un metal pesado o flexible. **No** utilice un conducto de salida de aire de plástico o de un metal demasiado flexible como el papel de aluminio. No comprima o retuerza el conducto

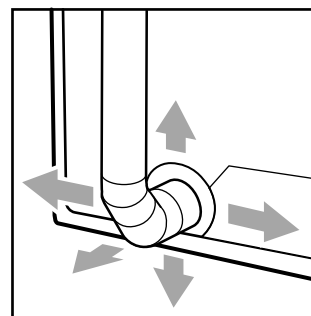
de salida de aire de metal flexible. Este debe permanecer completamente extendido para permitir que el aire de escape circule adecuadamente. Revise el conducto de salida de aire una vez sea instalado. Refiérase a las Instrucciones de Instalación para obtener los requerimientos de longitud del conducto de salida de aire.

2. Utilice una cubierta para el conducto de salida



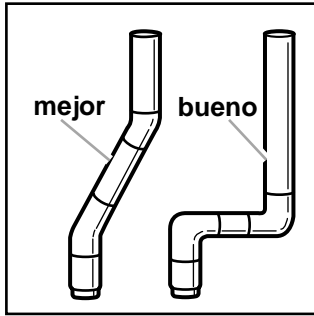
de aire de 10,16 cm (4 pulgadas). Si la cubierta es más pequeña, los tiempos (ciclos) de secado tendrán una duración mayor.

3. El conducto de salida de aire puede estar dirigido



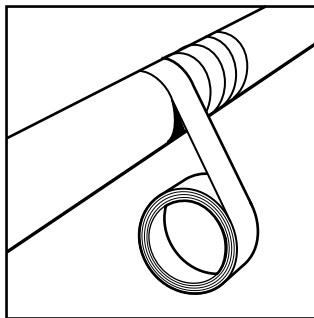
hacia arriba, hacia abajo, hacia la izquierda, hacia la derecha o puede salir en forma recta de la parte de atrás de la secadora. Las especificaciones del espacio necesario están detalladas en las Instrucciones de Instalación.

4. Utilice el camino más recto posible al establecer la vía del conducto de salida de aire. Use el menor número de codos y giros. Permita el espacio necesario cuando utilice codos o necesite desviarse de una línea recta. Moldee el conducto de salida de aire gradualmente para evitar retorcimiento.



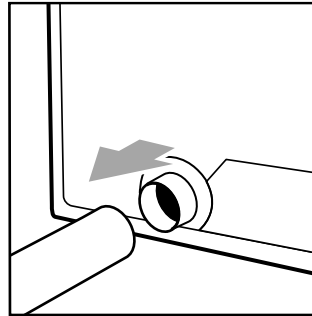
la vía del conducto de salida de aire. Use el menor número de codos y giros. Permita el espacio necesario cuando utilice codos o necesite desviarse de una línea recta. Moldee el conducto de salida de aire gradualmente para evitar retorcimiento.

5. Utilice cinta adhesiva para sellar las juntas. **No** utilice tornillos para asegurar el conducto de salida de aire porque la pelusa puede adherirse a los tornillos.



utilice tornillos para asegurar el conducto de salida de aire porque la pelusa puede adherirse a los tornillos.

6. Limpie el conducto de salida de aire periódicamente, dependiendo de su uso, pero por lo menos cada 2 años, o cuando necesite instalar la secadora en un nuevo sitio.



dependiendo de su uso, pero por lo menos cada 2 años, o cuando necesite instalar la secadora en un nuevo sitio.

● Desconecte el conducto de salida de aire de la secadora y límpielo sección por sección hasta que llegue a la

cubierta del escape.

- Utilice el accesorio de manguera de su aspiradora o un palo o un alambre con un plumero o un paño amarrado en la punta para retirar la pelusa.
- Asegúrese que la aleta en la punta exterior del conducto de salida de aire se mueve libremente.
- Cuando termine de limpiar, asegúrese de seguir las Instrucciones de Instalación suministradas con su secadora para cerciorarse de que la instalación se hace correctamente.

COMO OPERAR LA SECADORA

PUESTA EN MARCHA DE SU SECADORA

⚠ADVERTENCIA



Peligro de Explosión

Mantenga los materiales y vapores inflamables, tales como la gasolina, alejados de la secadora.

No seque ningún artículo que haya tenido alguna vez cualquier sustancia inflamable (aún después de lavarlo).

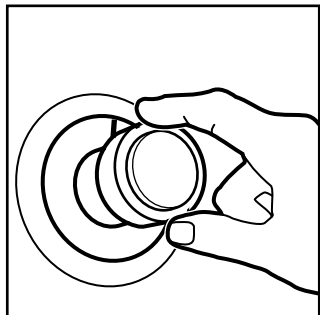
No seguir estas instrucciones puede ocasionar la muerte, explosión o incendio.

Antes de usar su secadora, pase un paño húmedo por el tambor para eliminar el polvo causado por el almacenaje y envío.

1. Introduzca la ropa suelta en su secadora y cierre la puerta. No introduzca demasiada ropa en la secadora; permita que la ropa se mueva libremente.



2. Gire el mando de Control de Ciclos al ciclo recomendado para el tipo de carga, como se describe en la sección "Descripción de los Ciclos".



⚠ADVERTENCIA



Peligro de Incendio

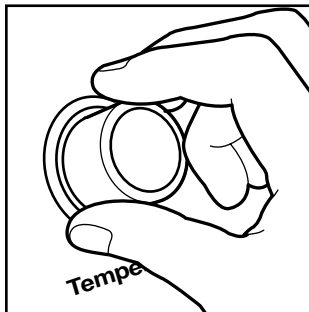
Ninguna lavadora puede eliminar completamente el aceite.

No seque ningún artículo que haya tenido alguna vez cualquier tipo de aceite (incluyendo los aceites de cocina).

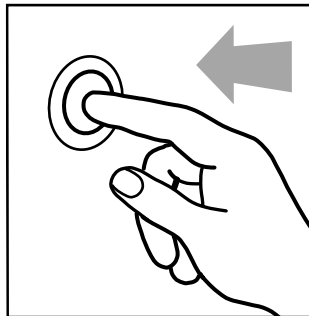
Los artículos que contengan espuma, hule o plástico deben secarse en un tendedero o usando un Ciclo de Aire.

No seguir estas instrucciones puede ocasionar la muerte o incendio.

3. Coloque el selector de Temperatura en la posición correcta para el tipo de tejidos a secar. La descripción de los ciclos en las páginas a continuación incluye sugerencias sobre las temperaturas a ser seleccionadas.



4. Presione el Botón "Start" (Puesta en marcha).



OBSERVACION: Su secadora se para automáticamente cuando el ciclo termina.

PUESTA EN MARCHA DE SU SECADORA (CONT.)

Apagando y Volviendo a poner en marcha Su Secadora

Usted puede apagar su secadora en cualquier momento durante un ciclo de secado.

Para apagar su secadora:

Abra la puerta de la secadora o gire el mando de Control de Ciclos a "Off" (Apagado).

OBSERVACIÓN: El mando de Control de Ciclos debe estar colocado en la posición "Off" (Apagado) cuando la secadora no está en uso.

Para poner en marcha su secadora de nuevo:

Cierre la puerta, seleccione un nuevo ciclo y una temperatura diferente (si lo desea) y presione el botón "Start" (Puesta en marcha).

SELECCIONANDO EL CICLO Y LA TEMPERATURA CORRECTA

Las páginas siguientes describen los ciclos de secado de su lavadora. Las descripciones incluyen sugerencias de temperaturas y de tiempos de secado para las diferentes cargas de ropa.

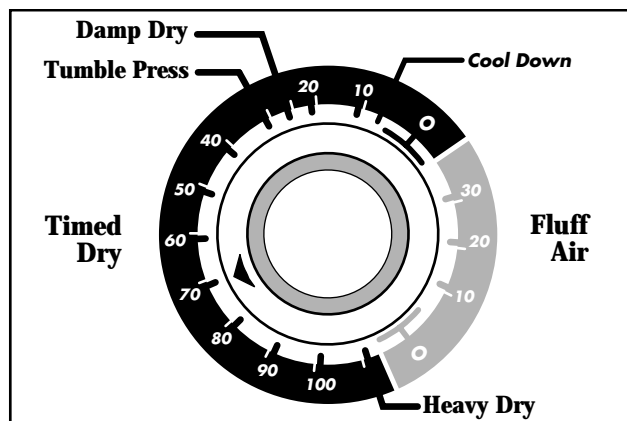
Algunos consejos sobre las temperaturas y los ciclos

- Asegúrese que haya seleccionado el ciclo correcto y la temperatura correcta para su carga.
- Use el Ciclo "Fluff Air" (Aire sin Calor) o seque al aire libre los tejidos sensibles al calor, delicados, de plástico o de caucho.
- Los minutos finales del ciclo usan aire sin calor para permitir que la carga se enfríe y sea más fácil de manejar.

Algunos consejos sobre el secado

- Siga siempre las instrucciones en las etiquetas de las prendas cuando estén disponibles.
- Utilice siempre pliegos de suavizante para ropa que se puedan usar en la secadora y siga las instrucciones del envase cuidadosamente.
- Remueva la carga de la secadora tan pronto como el ciclo termine para reducir la formación de arrugas. Esto es especialmente importante para las prendas de planchado permanente, los tejidos de punto y los sintéticos.

DESCRIPCIÓN DE LOS CICLOS



Ciclo de Secado Cronometrado

El ciclo de Secado Cronometrado es un ciclo que usa aire caliente. Utilice el Ciclo de Secado Cronometrado para:

- Artículos voluminosos y pesados, como sobrecamas y ropas de trabajo así como para cargas grandes que requieran un tiempo de secado largo. Coloque el selector de Temperatura en “Heavy” (Alta) y el mando de Control de Ciclos durante un tiempo de secado entre 50 y 70 minutos.
- Artículos livianos como ropa interior, blusas y tejidos de punto que requieren un tiempo de secado corto. Coloque el selector de Temperatura en “Low” (Baja) y el mando de Control de Ciclos durante un tiempo de secado entre 20 y 30 minutos.
- El ciclo de secado cronometrado también incluye una opción “Damp Dry” (Secado que deja las prendas húmedas) para dejar las prendas un poco húmedas o para secar artículos que no requieren de un ciclo de secado completo. Algunos ejemplos de estos artículos son prendas de algodón pesadas, como vaqueros que usted no quiere que queden tiesos y prendas de algodón que son más fáciles de planchar cuando están húmedas. Coloque el selector de Temperatura en “Heavy” (Alta) y el mando de Control de Ciclos en “Damp Dry” (Secado que deja las prendas húmedas).
- El ciclo de secado cronometrado también incluye la opción TUMBLE PRESS la cual elimina las arrugas de la ropa que ha estado empaquetada en una maleta o guardada durante mucho tiempo en el armario o artículos que no han sido sacados de la secadora al concluir el ciclo. Tan pronto como la secadora pare, doble o cuelgue las prendas. Coloque el selector de Temperatura en “Heavy” (Alta) y el mando de Control de Ciclos en “TUMBLE PRESS”.

Ciclo “Fluff Air” (Aire sin Calor)

Use el ciclo “Fluff Air” (Ciclo de Aire sin Calor) para los artículos que requieran secado sin calor, como se describe en la página siguiente.

CUIDADO DE SU SECADORA

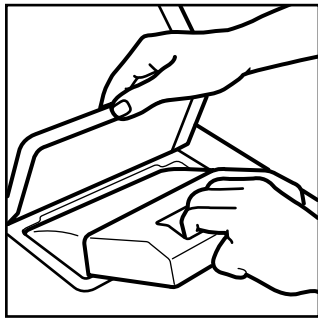
LIMPIANDO EL FILTRO DE PELUSA

Limpeza antes de cada carga

El filtro de pelusa está ubicado debajo de una tapa en la parte superior de la secadora. **Límpielo cada vez que vaya a secar una carga.** Un filtro obstruido por pelusa puede aumentar el tiempo de secado.

Para limpiar:

1. Abra la tapa y tire del filtro de pelusa hacia usted.



2. Con sus dedos, enrolle la pelusa que se encuentra en el filtro. No enjuague o lave este filtro para remover la pelusa. La pelusa y las hilachas mojadas son difíciles de quitar.



3. Coloque el filtro de pelusa nuevamente en su lugar empujándolo firmemente y cierre la tapa.

IMPORTANTE:

- No opere la secadora si el filtro de pelusa está suelto, dañado, obstruido o si no lo encuentra. El hacerlo puede causar recalentamiento y daños tanto a la secadora como a las prendas.
- Algunas toallas de fibras sintéticas y de fibras naturales (mezclas de algodón y poliéster) pueden soltar más pelusa que otras toallas, haciendo que el filtro de pelusa se llene más rápidamente. Asegúrese de quitar la pelusa del filtro pelusa antes y después de secar toallas nuevas.
- Si la pelusa del filtro cae dentro de la secadora durante su retirada revise periódicamente la capota de ventilación y quite la pelusa acumulada (vea "Inspeccionando el Conducto de Salida de aire").

Limpeza según la necesidad

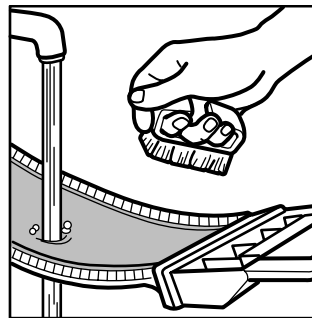
Los detergentes de lavandería y los suavizantes de tejidos pueden causar la formación de residuos en el filtro de pelusa. Esto puede hacer que el tiempo de secado de sus prendas sea mayor o que la secadora se pare antes de que la carga esté completamente seca. Usted puede detectar la formación de estos residuos con sus ojos o la pelusa puede caerse del filtro porque está taponado.

Limpie el filtro de pelusa con un cepillo de nilón cada seis meses o con mayor frecuencia si éste se tapa debido a la formación de residuos.

Use el siguiente método:

1. Moje los dos lados del filtro de pelusa con agua caliente.

2. Moje un cepillo de nilón con agua caliente y detergente líquido; cepille el filtro de pelusa para quitar la formación de residuos.



3. Enjuague el filtro en agua caliente.
4. Seque completamente el filtro de pelusa con una toalla limpia; colóquelo de nuevo en la secadora.

LIMPIANDO EL INTERIOR DE SU SECADORA

Las prendas que contengan tintes inestables, como los vaqueros o los artículos de algodón de colores vivos pueden manchar el interior de su lavadora. Estas manchas **no** perjudican a su secadora y no mancharán otras cargas de ropa. El secar las prendas de tintes inestables al revés ayudará a prevenir la transferencia de tintes.

Limpieza del tambor de la secadora:

1. Prepare una pasta con detergente de lavadora en polvo y agua muy tibia.
2. Aplique la pasta con un paño suave.

○

Aplique un quitamanchas casero líquido no inflamable al área manchada y frote con un paño suave hasta remover el exceso de tinte.



3. Limpie el tambor completamente con un paño húmedo.
4. Ponga a funcionar la secadora con una carga limpia de ropa o de toallas para secar el tambor.

⚠ ADVERTENCIA



Peligro de Explosión

Utilice un limpiador no inflamable.

No seguir esta instrucción puede ocasionar la muerte, explosión, o incendio.

REMOVIENDO LA PELUSA ACUMULADA DEL INTERIOR DE LA CAJA DE SU SECADORA

La pelusa y las hilachas deben ser retiradas cada dos años, o más frecuentemente, dependiendo del uso que se le de a la secadora. La limpieza debe ser hecha por una persona calificada.

SOLUCIONANDO PROBLEMAS

PROBLEMAS COMUNES DEL SECADO

PROBLEMA	CAUSA	SOLUCIÓN
No seca correctamente	<ul style="list-style-type: none"> • El filtro de pelusa está tapado con pelusa. • El movimiento de aire está restringido. El conducto de salida de aire o la capota del escape están tapados con pelusa. • El conducto de salida de aire está trabado o retorcido. • En secadoras de gas la válvula de línea de suministro está cerrada. • Un fusible está quemado o el disyuntor se ha disparado. La secadora aparentará funcionar pero no producirá calor. • El mando de control de ciclo o el selector de temperatura están colocados en aire seco. • Las hojas de suavizante de tejidos están tapando el filtro de afuera. • La secadora se encuentra en un cuarto donde la temperatura está por debajo de 7°C (45°F). • Hay mucha humedad en la carga de ropa. • Se usó agua fría para enjuagar. • La carga de ropa es demasiado voluminosa para secarse rápido. 	<ul style="list-style-type: none"> • Limpie el filtro de pelusa. • Haga funcionar la secadora durante unos 5 ó 10 minutos. Ponga su mano debajo de la capota del escape de afuera y observe si hay movimiento de aire. Si no siente que el aire se mueve, limpie de pelusa el sistema de salida del aire o reponga la capota del escape con una capota de metal pesado o flexible (vea las Instrucciones de Instalación). • Reponga con una capota de metal pesado o flexible (vea las Instrucciones de Instalación). • Abra todas las válvulas (vea las Instrucciones de Instalación). • Cambie el fusible o reajuste el disyuntor de nuevo. • Seleccione el ciclo y la temperatura correctos para los tipos de prendas que se están secando (vea Cómo Operar la Secadora). • Use únicamente una hoja de suavizante de tejidos por cada carga de ropa y úsela solamente una vez. • Ponga la secadora donde la temperatura del aire sea de más de 7°C (45°F). • Los artículos que mantienen más humedad (tales como las prendas de algodón) tardarán más tiempo en secarse. • El secado tarda más tiempo. • Separe la carga de ropa para que se pueda mover libremente.
La secadora no funciona	<ul style="list-style-type: none"> • El cable eléctrico no está enchufado correctamente con un circuito de voltaje apropiado. • Los fusibles están quemados o el disyuntor se ha disparado. • Se está utilizando un fusible regular. • La puerta de la secadora no está bien cerrada. • El botón de inicio (Start) no se ha oprimido. • No se ha seleccionado un ciclo. 	<ul style="list-style-type: none"> • Enchufe el cable eléctrico en un circuito activo. • Cambie los fusibles o reajuste el disyuntor de nuevo. • Cambie el fusible por un fusible retardador. • Cierre la puerta de la secadora correctamente. • Oprima el botón de inicio (Start). • Seleccione un ciclo o tiempo y oprima el botón de inicio (Start).

PROBLEMAS COMUNES DEL SECADO (CONT.)

PROBLEMA	CAUSA	SOLUCIÓN
Pelusa en la carga de ropa	<ul style="list-style-type: none"> • El filtro de pelusa está tapado. • Clasificación indebida de ropa. • La carga de ropa es demasiado grande o pesada. • La carga de ropa está demasiado seca. • Hay papel en los bolsillos. • Se confunden las motitas con la pelusa. 	<ul style="list-style-type: none"> • Limpie el filtro de pelusa. • Separe las prendas que despiden pelusa de las que la atraen. También sepárelas por colores. • Seque cargas más pequeñas para que la pelusa pueda ser transportada hasta el filtro. • Use la programación de secado correcta para sus tejidos. El secar demasiado puede causar electricidad estática que atrae a la pelusa (vea Cómo Operar la Secadora). • Limpie los bolsillos antes del secado. • Las motitas de la superficie son causadas por el uso normal de la prenda y e lavado.
Manchas en la carga de ropa	<ul style="list-style-type: none"> • Uso inapropiado del suavizador de tejidos en la lavadora. • Ha secado artículos sucios. 	<ul style="list-style-type: none"> • Use hojas de suavizante de tejidos dentro de la secadora. Agréguelas al principio del ciclo cuando la carga de ropa todavía está fría. • Los artículos necesitan limpiarse antes de secarse.
Encogimiento de artículos	<ul style="list-style-type: none"> • Períodos de secado demasiado prolongados. • Calidad mala del tejido. • No se han seguido las instrucciones de la etiqueta de cuidado de las prendas. 	<ul style="list-style-type: none"> • Asegúrese de que la programación de la secadora coincida con la clase de tejido (vea Cómo Operar la Secadora). • Fíjese en la calidad de la prenda antes de comprarla. • Siga las instrucciones de la etiqueta para el cuidado de los tejidos cuidadosamente.
Las cargas de ropa salen arrugadas	<ul style="list-style-type: none"> • La carga de ropa es demasiado grande. • Períodos de secado demasiado prolongados. • Se deja la carga de ropa en la secadora después de que termina el ciclo. 	<ul style="list-style-type: none"> • Seque cargas de ropa más pequeñas que permitan que se muevan con facilidad. • Asegúrese de que la programación de la secadora coincida con la clase de tejido (vea Cómo Operar la Secadora). • Saque la carga de ropa un vez que el ciclo de tambor termina.
Olores	<ul style="list-style-type: none"> • Los productos químicos, la pintura o barniz de la casa entran a la secadora. • Primer uso del elemento de calor (sólo eléctrico). • Fuga de gas (sólo gas). 	<ul style="list-style-type: none"> • No use la secadora mientras estos vapores de productos químicos se encuentren en la casa. • Desaparacerá después del primer ciclo. • Apague la línea de suministro de gas. Salga de su casa y luego llame a la compañía de gas de su localidad.
Sonidos no comunes	<ul style="list-style-type: none"> • Golpes de rodillos cuando la secadora se ha ajustado. 	<ul style="list-style-type: none"> • Los golpes desaparecerán después de 5 minutos de uso de la secadora.

ASISTENCIA O SERVICIO

Antes de llamar a un representante de servicio, por favor lea la sección “Solucionando Problemas”. Esto le puede ahorrar el costo de la visita del representante de servicio. Si usted todavía requiere ayuda, siga estas instrucciones.

SI USTED NECESITA ASISTENCIA O SERVICIO POR PARTE DE UN REPRESENTANTE ...

Si el problema de su secadora no está incluido en la sección “Solucionando Problemas”, llame al distribuidor a quien usted le compró la secadora o a una compañía de servicio de mantenimiento autorizada de Whirlpool.

Al llamar, por favor tenga a mano la fecha de compra, el número completo del modelo y de la serie de su electrodoméstico (refiérase a la sección “Una Nota para Usted”). Esta información nos permitirá responder más eficazmente a su solicitud.

SI USTED NECESITA UNA PIEZA DE REPUESTO ...

Use piezas especificadas de fábrica siempre que necesite una pieza de repuesto para su Electrodoméstico WHIRLPOOL®. Estas piezas encajarán bien y funcionarán Correctamente porque están hechas bajo las mismas especificaciones usadas en la construcción de cada nuevo electrodoméstico WHIRLPOOL.

Para localizar piezas especificadas de fábrica en su área, contacte al distribuidor que le vendió la secadora o a una compañía de servicio designada por WHIRLPOOL.